

SERIES 2000

Rigid Dock Shelter

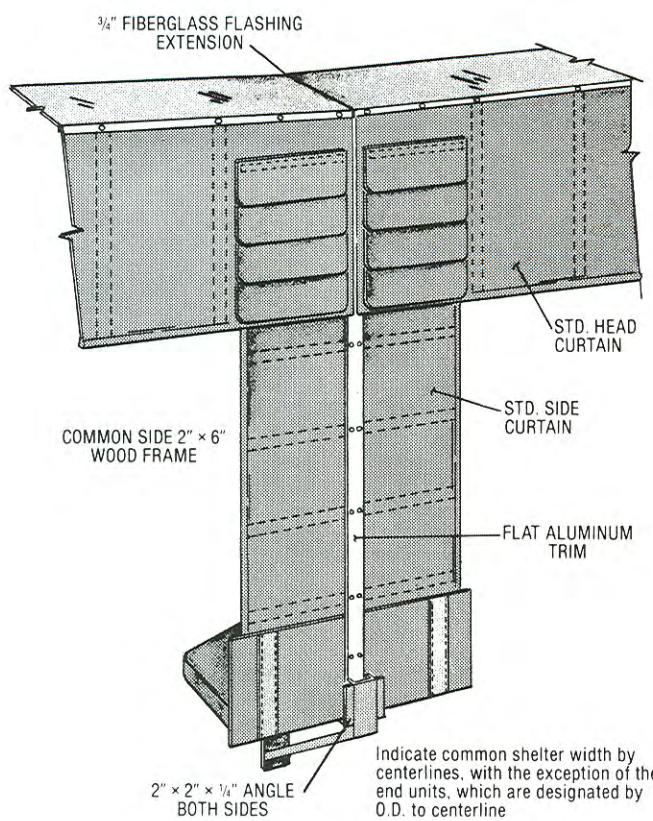
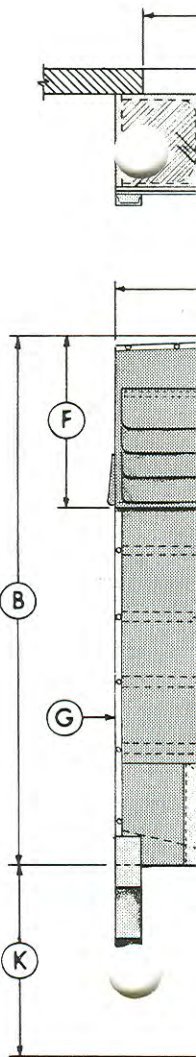
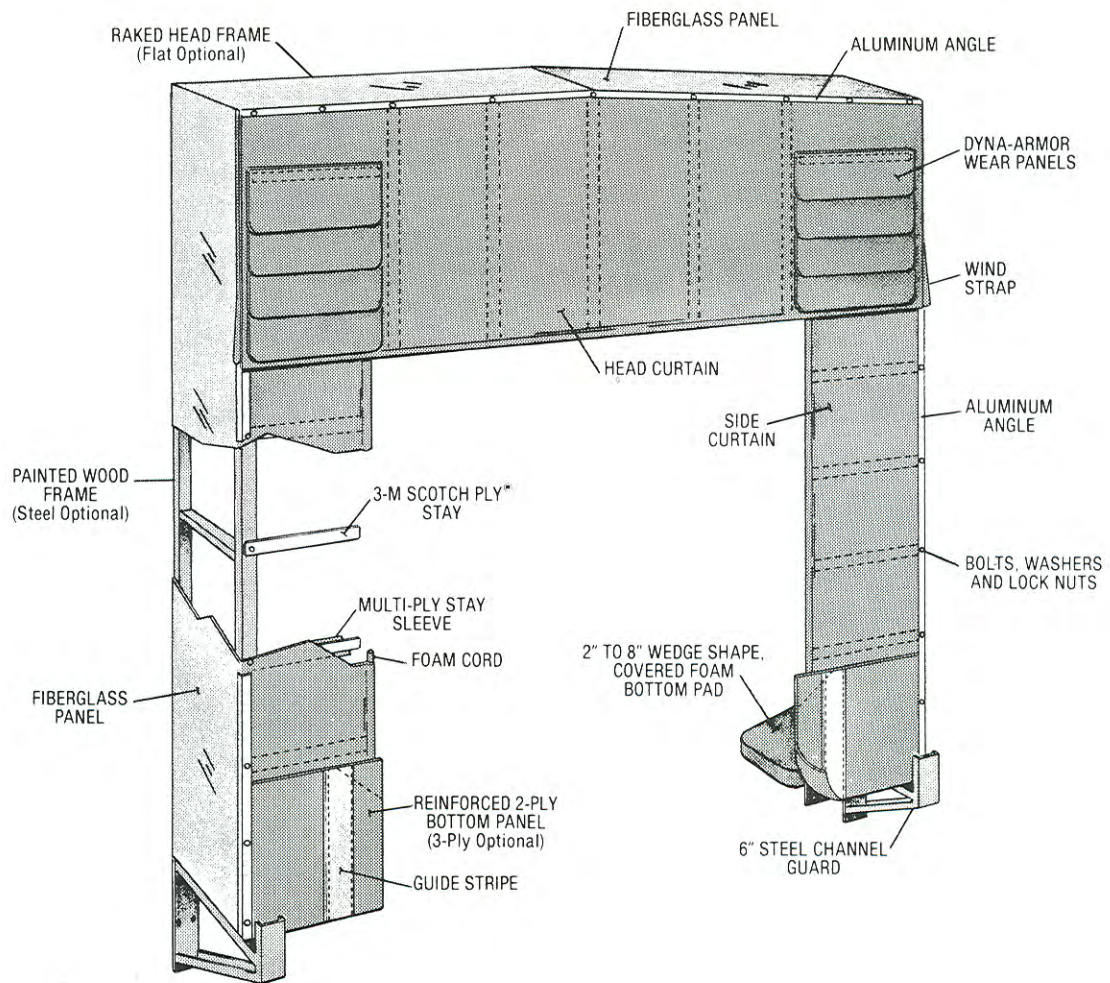
- **DYNALON®** Fairborn's exclusive fabric with the ultimate in tear and abrasion resistance and superior weatherability
- **DYNA-ARMOR®** Overlapping, durable fabric panels at critical wear areas of head curtain
- **BOTTOM REINFORCEMENTS** 2-Ply fabric layer provides extra wear protection on lower area of side curtains (Optional 3-Ply)
- **GUIDE STRIPE** Highly visible yellow strip facilitates accurate truck positioning
- **FLEXIBLE STAYS** 3-M Scotch Ply™ Stays enable top and side curtains to firmly "hug" truck body (Optional "Z" pattern at side curtain top)
- **REINFORCEMENT SLEEVES** Multi-ply, fabric stay encasements ensure cover longevity
- **FOAM BEADS** Compressible, soft cord in curtain edges conforms to truck body irregularities
- **THREAD** Bonded, high tensile, multi-cord polyester using lockstitch and backtack sewing technique throughout
- **FRAME** Select, kiln-dried, factory painted wood assembled with screw shank nails and countersunk lag screws yielding superior structural integrity (Optional steel frame)



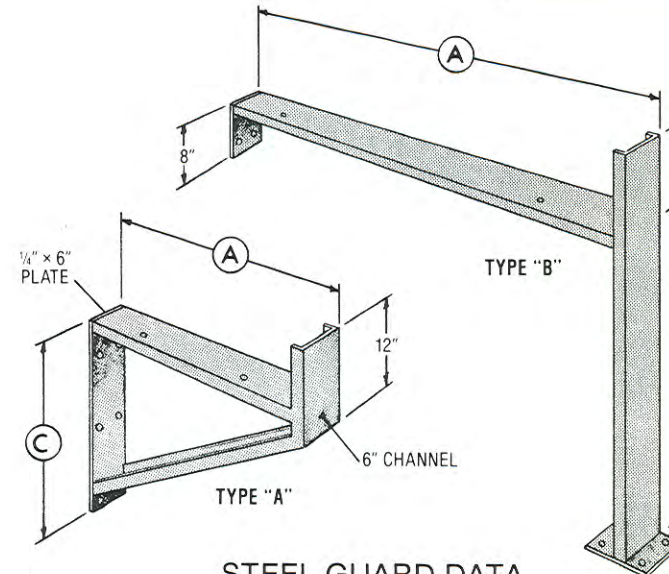
- **RAKED HEADER** 2" x 6" peaked at center provides adequate drainage (Optional flat header for low clearance)
- **FIBERGLASS** Translucent panels permit natural light penetration through top and side members. Secured to frame with 1" wide, adhesive tipped, steel staples
- **ALUMINUM TRIM** Polished angle perfects corner appearance
- **BOTTOM PADS** Covered foam cushions prevent bottom corner air filtration and complete the shelter enclosure
- **WIND STRAPS** Protects head curtain from wind uplift damage
- **TENSION CORD** Maintains upper side curtain stability

- **STEEL GUARDS** Factory painted, structural steel channel configurations prevent damage from misaligned trucks

DYNALON® is a registered trademark of **FAIRBORN USA INC.**
 DYNA-ARMOR® is a registered trademark of **FAIRBORN USA INC.**



COMMON SIDE MEMBER



STEEL GUARD DATA

_____ "A" TOTAL STEEL GUARD PROJ. (Std: 4" greater than side frame bottom projection)

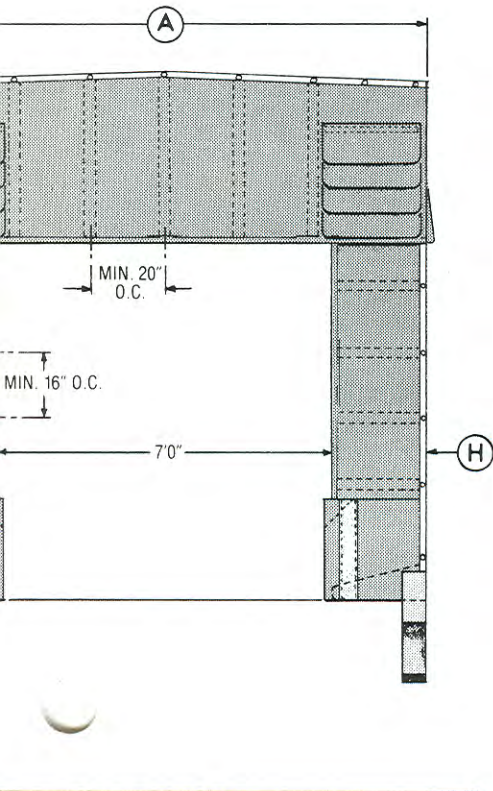
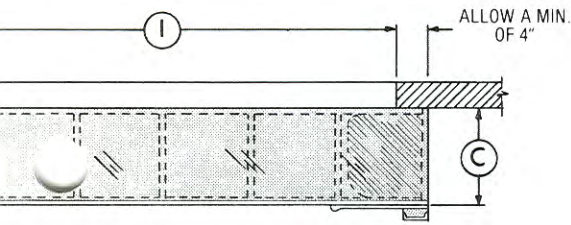
_____ "B" DIM: Measure from drive grade to dock level @ "A" dim. from building

_____ "C"

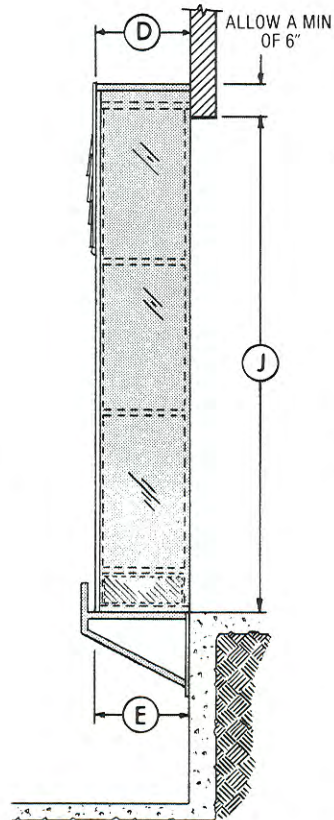
STEEL GUARD PROJ.	"C" DIM
22" - 28"	20"
34" - 40"	27"
46" - 52"	34"

NOTE: Greater projection than 52" use type "B"

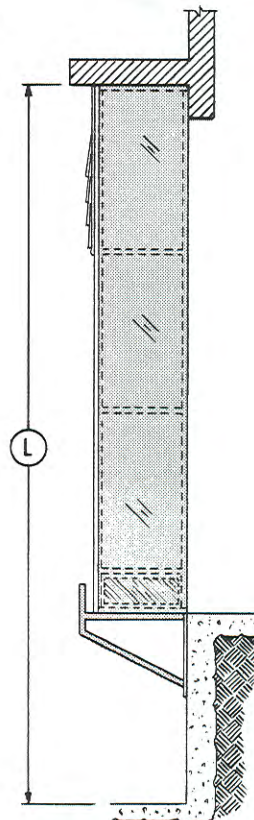
SERIES-2000 RIGID TRUCK SHELTER



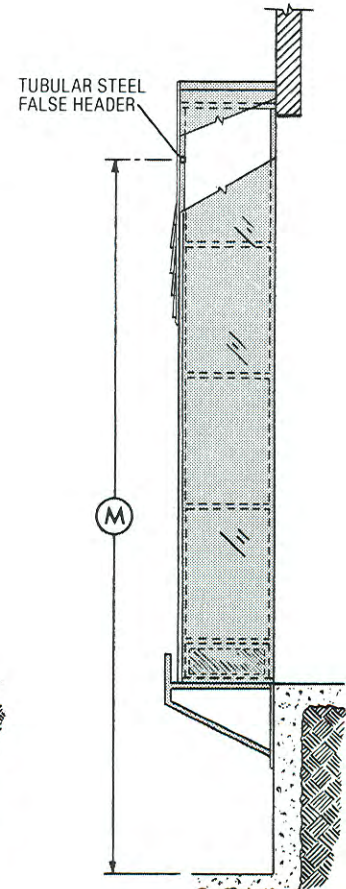
PLAN VIEW




DOCK LEVEL
INSTALLATION



OVERHANG
INSTALLATION



FALSE HEADER
INSTALLATION

TYPE	DIMENSIONS	OPTIONAL EQUIPMENT
<input type="checkbox"/> DOCK LEVEL	_____ "A" SHELTER WIDTH (6" Increments) (Recommended: 11'6" Min.—13'0" Max.)	<input type="checkbox"/> FULL "Z" (Stay pattern top of side curtain)
<input type="checkbox"/> OVERHANG	_____ "B" SHELTER HEIGHT (6" Increments) (Recommended: 11'0" Min.—15'0" Max. except ground level type)	<input type="checkbox"/> 3-PLY BOTTOM REINFORCEMENT (Bottom of side curtain)
<input type="checkbox"/> FALSE HEADER	_____ "C" HEAD FRAME PROJ.	<input type="checkbox"/> COMMON SIDE MEMBER
<input type="checkbox"/> GROUND LEVEL (Not Shown)	_____ "D" SIDE FRAME TOP PROJ.	<input type="checkbox"/> TUBULAR STEEL FRAME <input type="checkbox"/> PAINTED <input type="checkbox"/> GALVANIZED
<input type="checkbox"/> CANTILEVER DOCK (Not Shown)	_____ "E" SIDE FRAME BOTTOM PROJ.	<input type="checkbox"/> FLAT HEAD FRAME <input type="checkbox"/> 2" x 4" WOOD <input type="checkbox"/> TUBULAR STEEL
<input type="checkbox"/> SET BACK WALL (Not Shown)	_____ "F" HEAD CURTAIN LENGTH	<input type="checkbox"/> ACCESS DOOR (Large proj. side frames only)
FABRIC	_____ "G" LEFT SIDE CURTAIN WIDTH	<input type="checkbox"/> PULL ROPE (Rope and pulleys to raise head curtain)
<input type="checkbox"/> DYNALON	_____ "H" RIGHT SIDE CURTAIN WIDTH	<input type="checkbox"/> BOTTOM FILLER PANEL (Ground level units only)
<input type="checkbox"/> 1001	_____ "I" DOOR WIDTH	 <p>FAIRBORN USA INC. P.O. Box 151 • 205 Broadview Street Upper Sandusky, Ohio 43351 Phone: (419) 294-4987 (800) 262-1188 Fax: (419) 294-4980</p>
<input type="checkbox"/> 1002	_____ "J" DOOR HEIGHT	
<input type="checkbox"/> 1003	_____ "K" DOCK HEIGHT	
<input type="checkbox"/> 1006	_____ "L" DIM. TO OVERHANG	
<input type="checkbox"/> 1007	_____ "M" DIM. TO FALSE HEADER (Std. installed @ 15'0" above grade)	
JOB:		
LOCATION:		
CONTRACTOR:		
ARCHITECT:		
APPROVED BY: Signature		

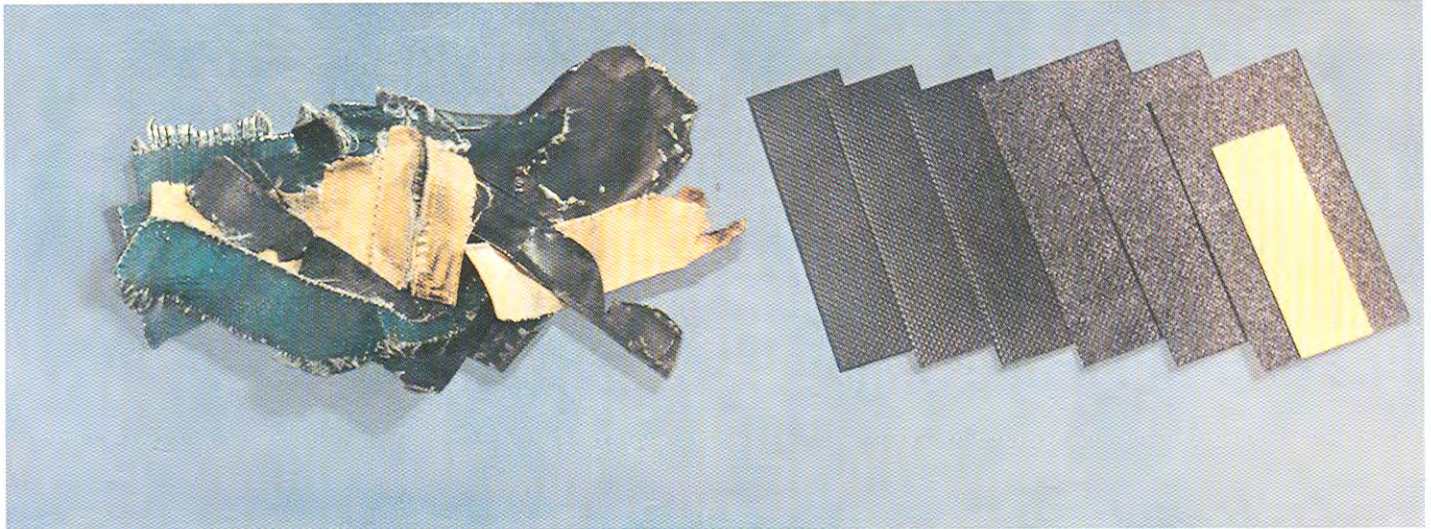
3 1/2"
B

DYNALON®

Dynalon®...a major breakthrough in the life expectancy of dock seals and shelters

5 times greater tear resistance!

20 times greater abrasion resistance!



PROBLEM:



Summary of properties of fabric.

TEAR STRENGTH Lbs. Warp & Fill, Method 5134	300x300
ABRASION RESISTANCE Cycles H-22 Wheel, 1000 Gram Load, Method 5306	6000
TENSILE STRENGTH Lbs.Warp & Fill, Method 5100	1200x1200
HYDROSTATIC p.s.i., Method 5512.1 (Machine Limit)	600
ADHESION Lbs./2", Method 5970	25
COLD RESISTANCE @ -40° F, Method 5874	PASS
TESTING PER FEDERAL STANDARD 191	

SOLUTION:



FAIRBORN SERIES 2000 RIGID DOCK SHELTERS accommodate the widest range of truck and building variations while yielding unobstructed accessibility to the interior of the vehicle.

Non-corrosive flexible stays encased in the fabric create a uniform, semi-rigid curtain. Upon entry the curtains arch back maintaining pressure on vehicle top and sides, and the soft foam bead conforms to truck body irregularities. Non-setting stays guarantee consistent return of curtains to their original position. Foam bottom cushions seal against the vehicle while filling lower corners of shelter. Translucent fiberglass panels shelter dock area from the elements while allowing natural light penetration.

Professional seamstresses operating our sophisticated machinery combine DYNALON® reinforcements and DYNA-ARMOR® to critical wear areas of our superior curtain fabric. This expertise creates a unit with life expectancy far beyond industry standards. Master craftsmen utilizing hand select, kiln dried lumber and first quality raw materials assure the highest quality product in appearance and structural integrity. Our diversified machine shop guarantees precision in standard and specialized fabricated components.

Strict adherence to every detail of material and workmanship by our experienced staff produces a unit of the highest caliber. This unit will enhance the aesthetic value of your building while saving costly energy dollars.

Contact your exclusive FAIRBORN representative to enable us to tailor fit a dock shelter for your specific needs.

Architectural Specifications

Rigid Dock Shelter shall be Series 2000 as manufactured by **FAIRBORN USA INC.**, Upper Sandusky, Ohio to fit door opening _____ wide x _____ high. Side and head curtain fabric to be DYNALON®. Side curtains to be reinforced with DYNALON® multi-ply bottom panels, equipped with yellow guide stripes. Head curtain shall have DYNA-ARMOR® overlapping panels at each end. Rounded closed cell neoprene to be continuous in side curtain edges. Curtains shall encase *3-M "Scotch Ply" Stays (steel not acceptable) enclosed by multi-layer reinforcement sleeves. Stays to be spaced evenly with a maximum of 16" O.C. in side curtain and a 20" maximum O.C. in head curtain. Shelter shall consist of three rigid structural frames, having translucent fiberglass secured to the exteriors. Head frame to be sloped from center. Exterior frame corners shall be trimmed with aluminum angle. One pair of wedge design covered polyurethane foam bottom pads to be furnished per shelter. Pads to have air exhaust and galvanized hardware. Unit shall include two 6" structural steel channel guards.

**"Scotch Ply"™ 3-M Company



FAIRBORN USA INC.
P.O. Box 151 • 205 Broadview Street
Upper Sandusky, Ohio 43351
Phone: (419) 294-4987 (800) 262-1188
Fax: (419) 294-4980